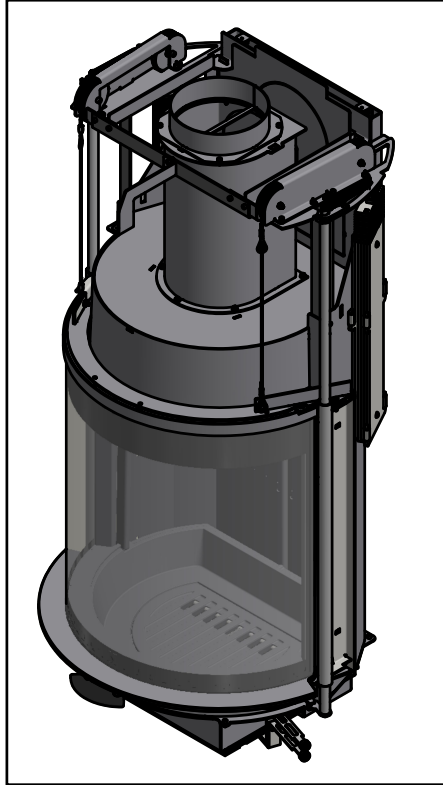


# Spare parts: Scan 87 Floor

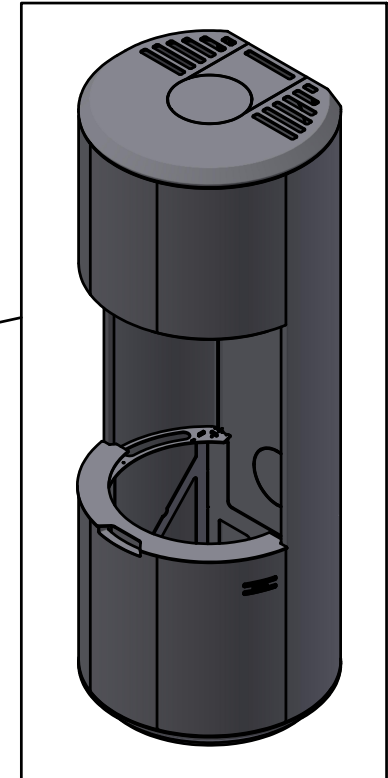
## Corpus

Page 2-8



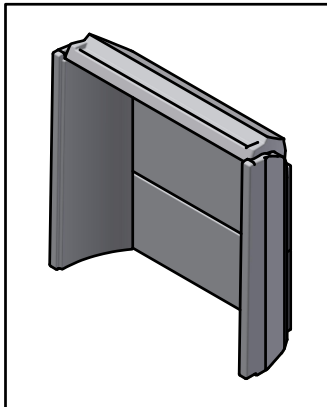
## Mantle

Page 9-10



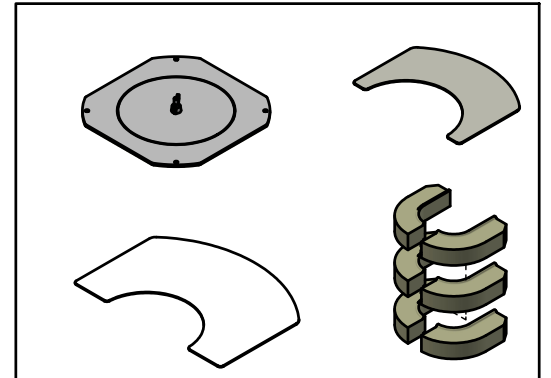
## Ceramic stones

Page 11



## Accessories

Page 12



Date: 27-01-2022

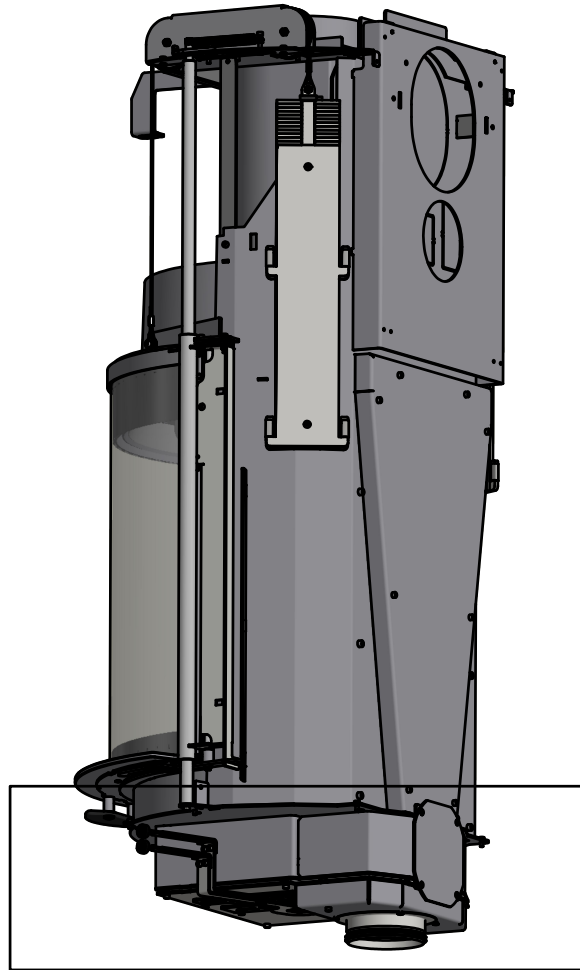
Constructed /Changed by: pcj/sr

Drawing number: 90087100

**SCAN A/S**  
DK-5492 Vissenbjerg©

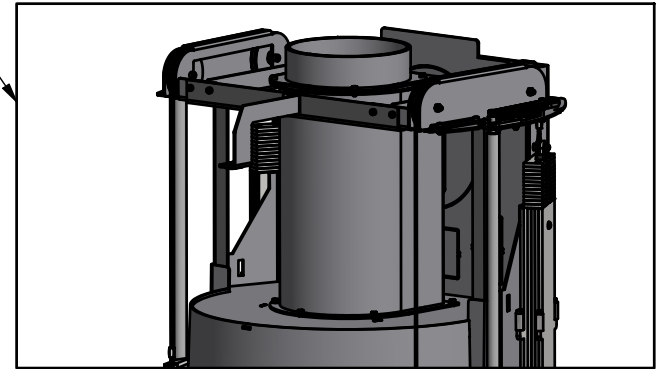


# Spare parts: Scan 87 Floor

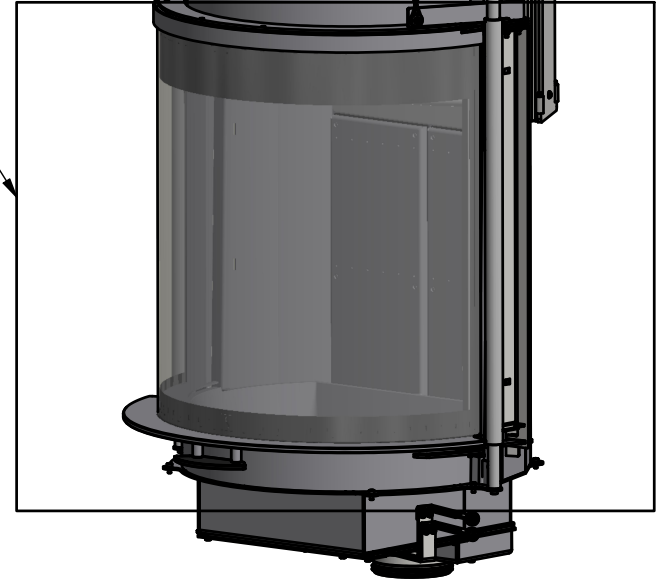


Page 3

Page 4-5



Page 6-8



Date: 27-01-2022

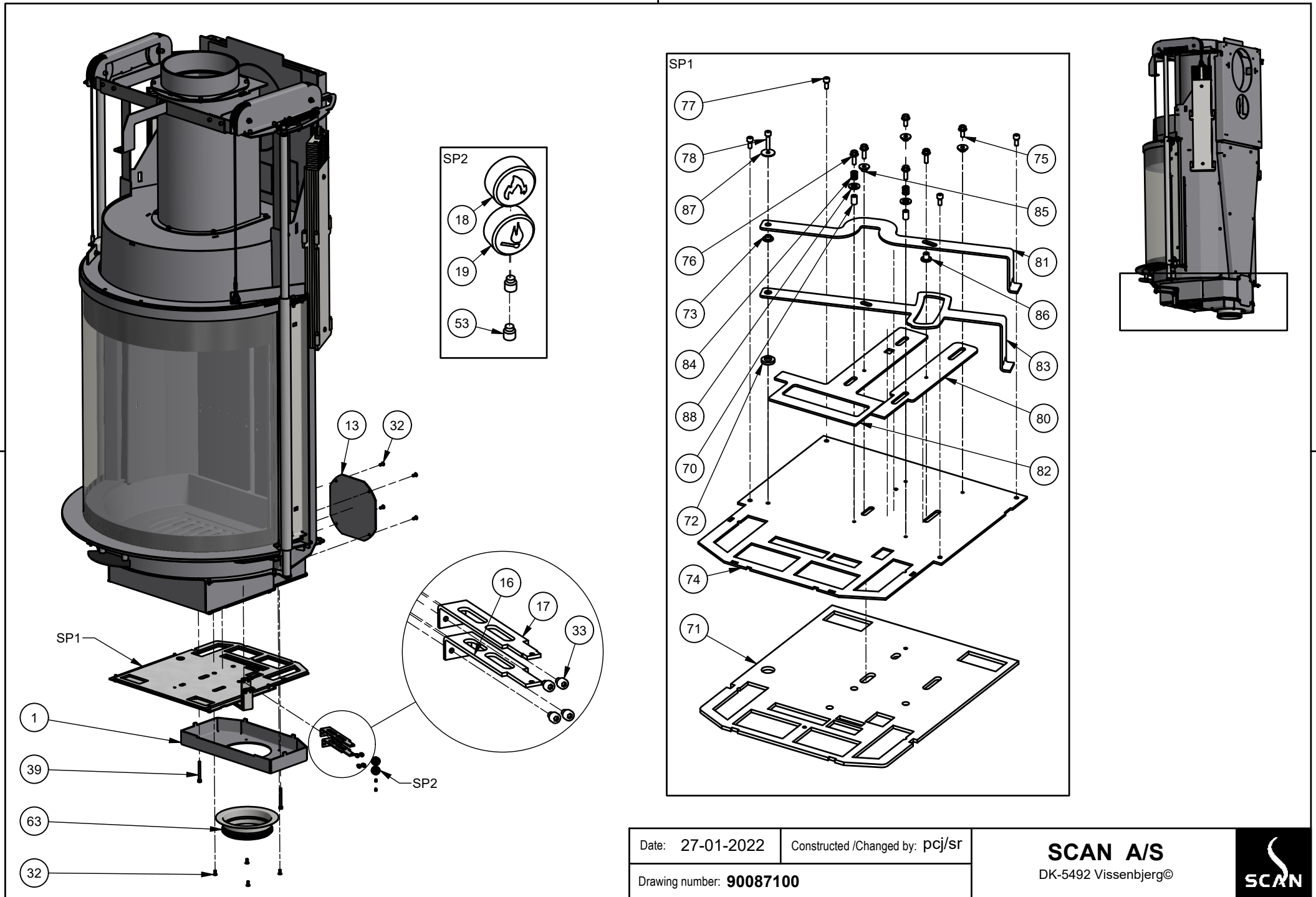
Constructed /Changed by: pcj/sr

Drawing number: **90087100**

**SCAN A/S**  
DK-5492 Vissenbjerg©



# Spare parts: Scan 87 Floor

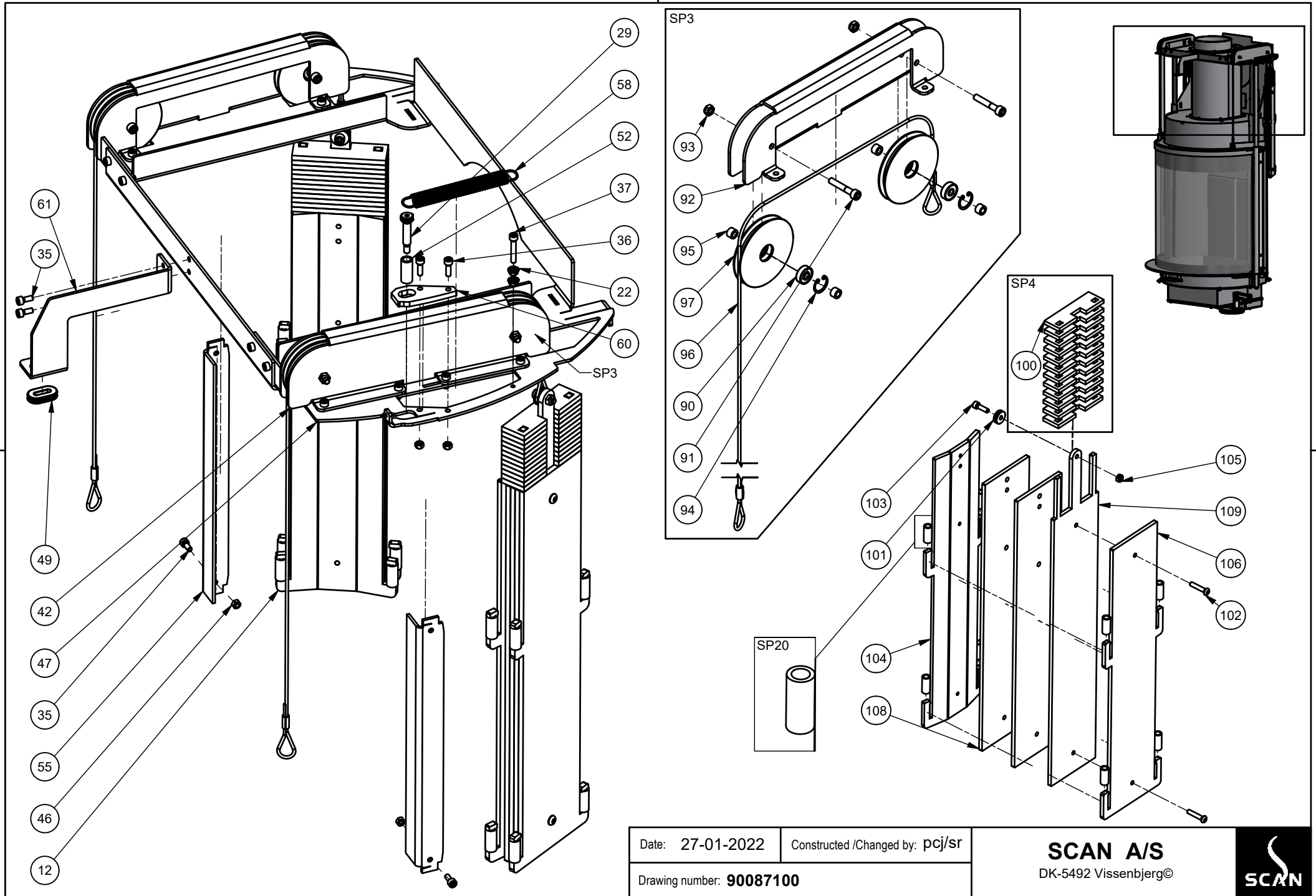


Date: 27-01-2022	Constructed /Changed by: pcj/sr
Drawing number: 90087100	

**SCAN A/S**  
DK-5492 Vissenbjerg©



# Spare parts: Scan 87 Floor

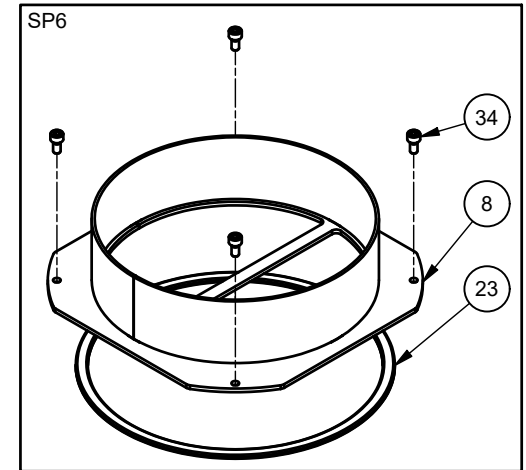
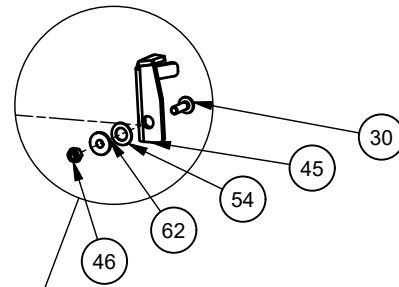
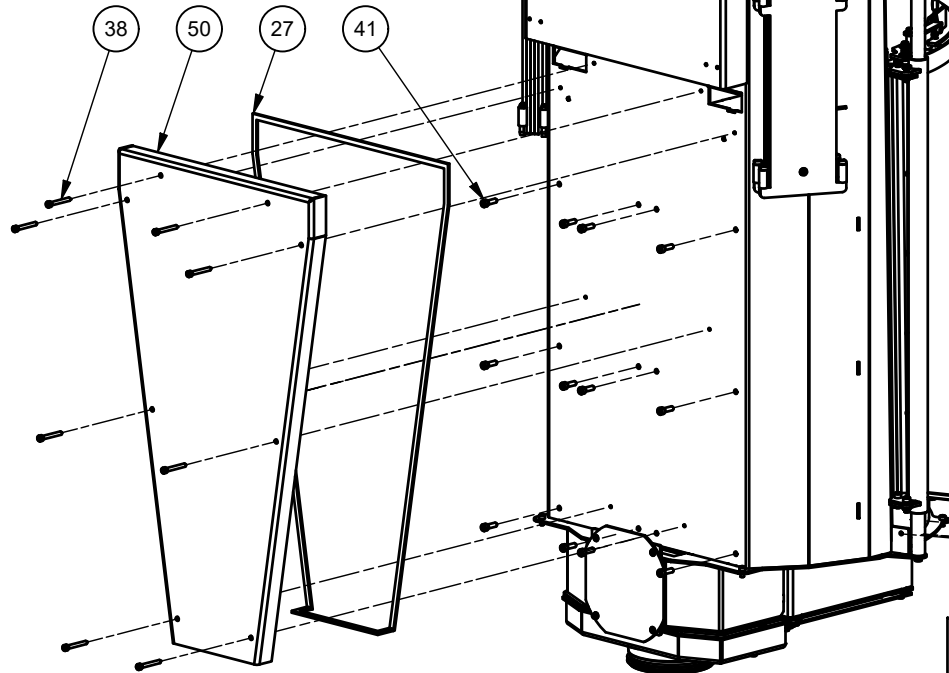
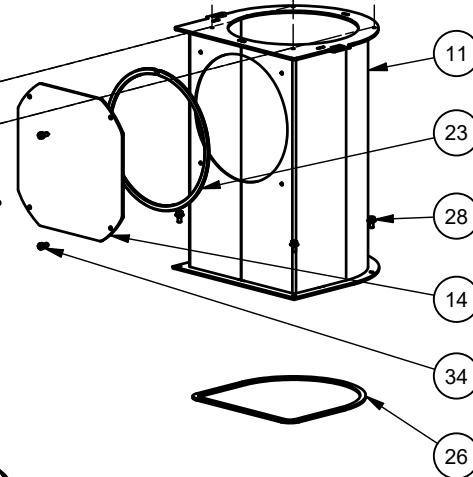
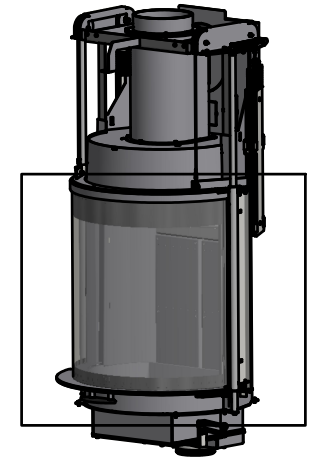
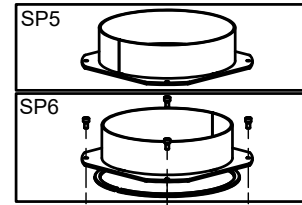
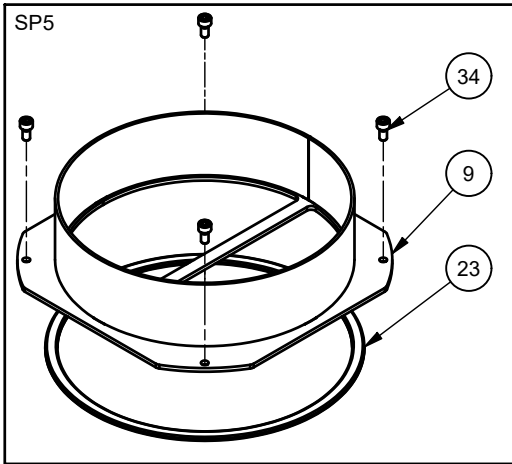


Date: 27-01-2022	Constructed /Changed by: pcj/sr
Drawing number: 90087100	

**SCAN A/S**  
DK-5492 Vissenbjerg©



# Spare parts: Scan 87 Floor



Date: 27-01-2022    Constructed /Changed by: pcj/sr

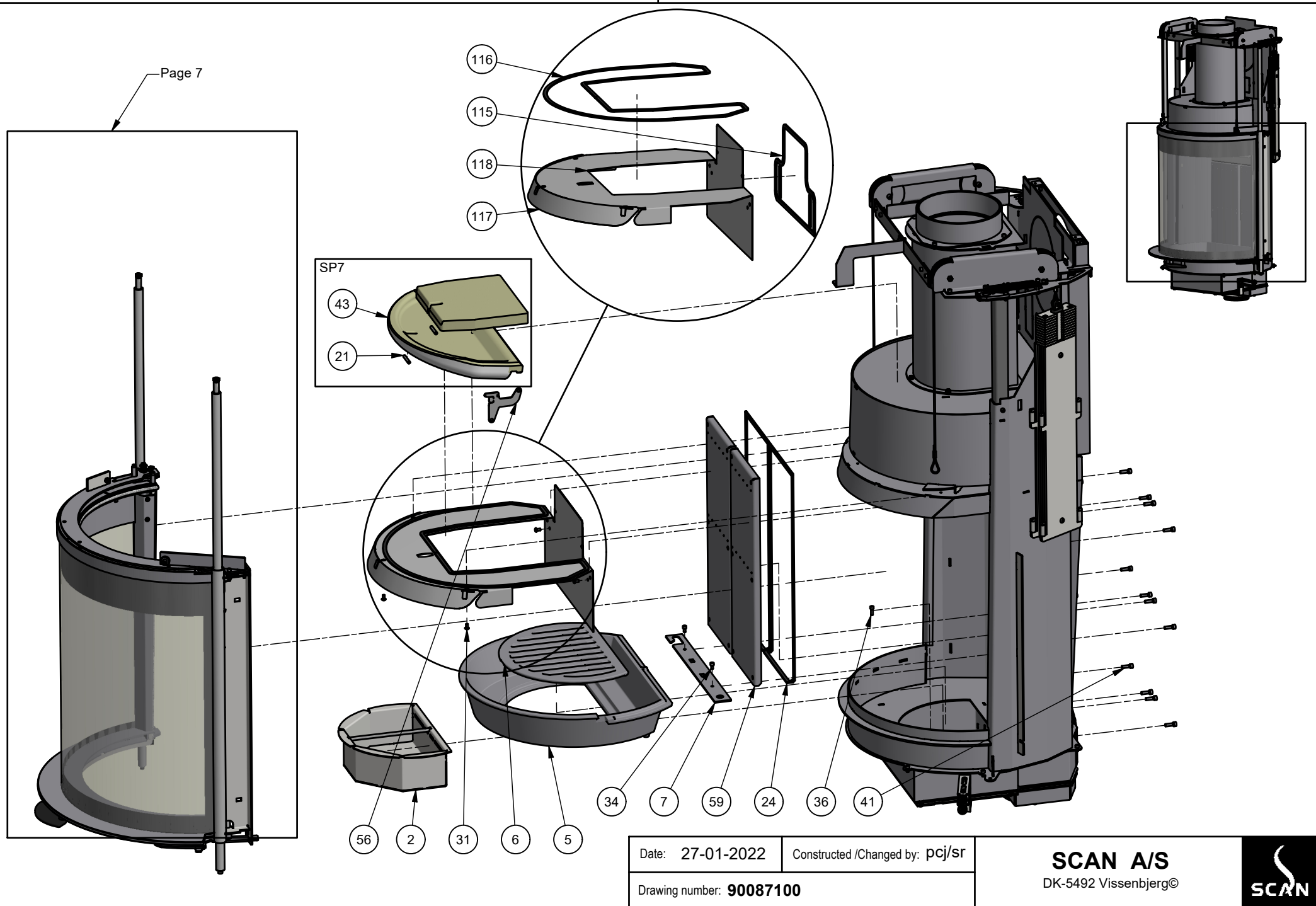
Drawing number: 90087100

**SCAN A/S**  
DK-5492 Vissenbjerg©



# Spare parts: Scan 87 Floor

Page 7

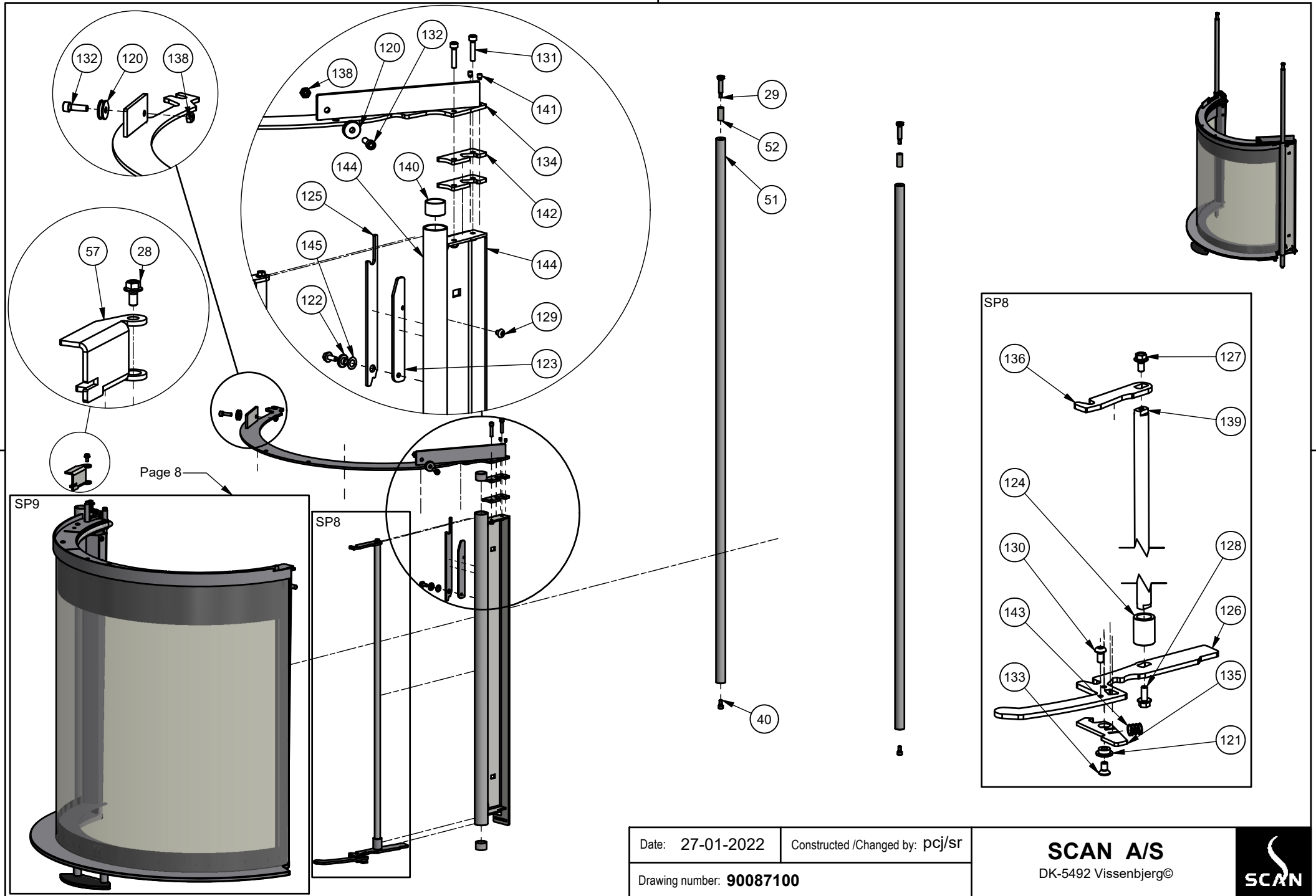


Date: 27-01-2022    Constructed /Changed by: pcj/sr  
 Drawing number: 90087100

**SCAN A/S**  
 DK-5492 Vissenbjerg©



# Spare parts: Scan 87 Floor



Page 8

SP9

SP8

SP8

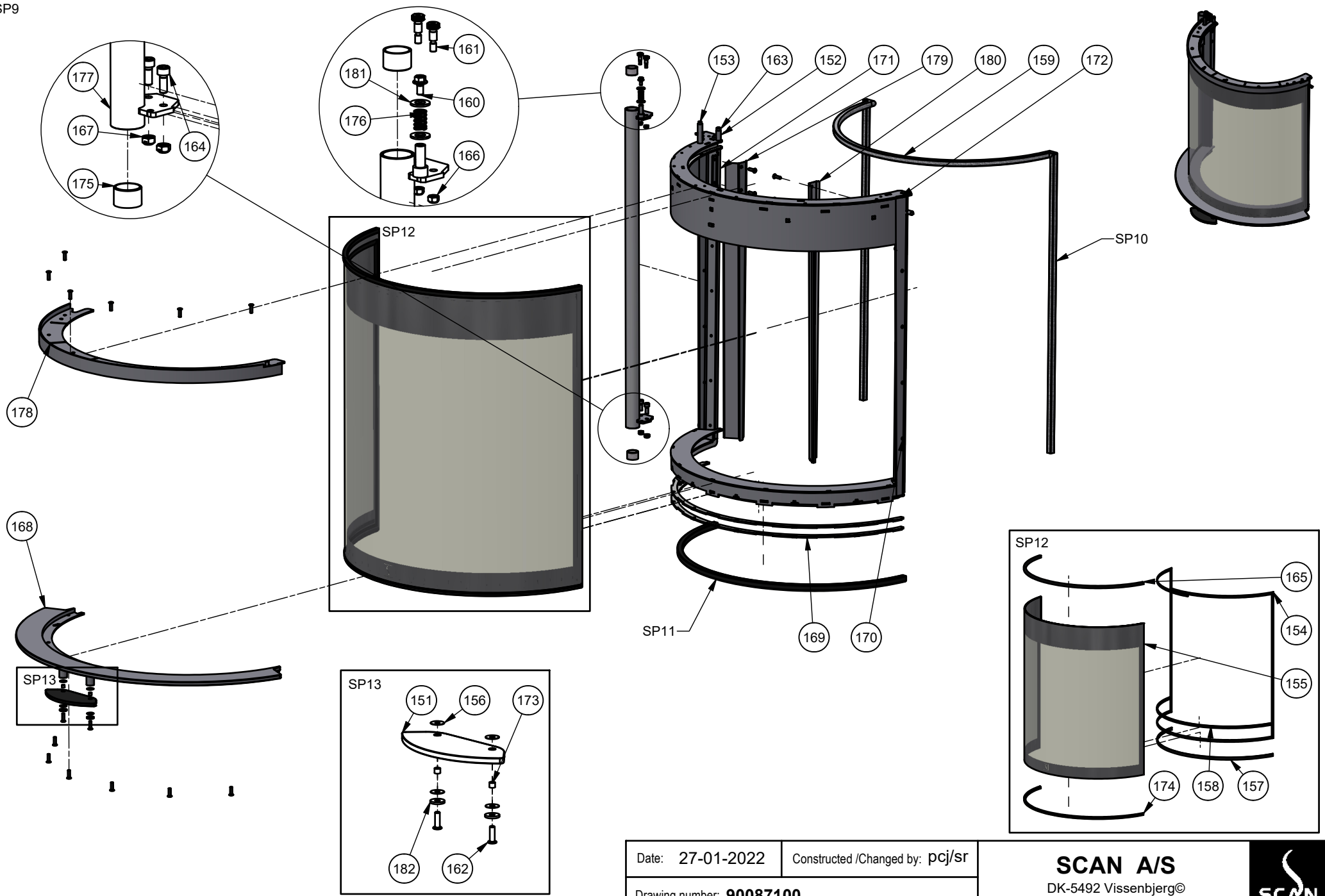
Date: 27-01-2022	Constructed /Changed by: pcj/sr
Drawing number: 90087100	

**SCAN A/S**  
DK-5492 Vissenbjerg©

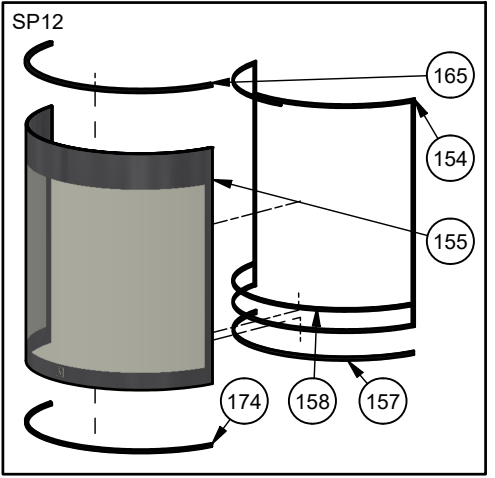


# Spare parts: Scan 87 Floor

SP9



Date: 27-01-2022	Constructed /Changed by: pcj/sr
Drawing number: 90087100	

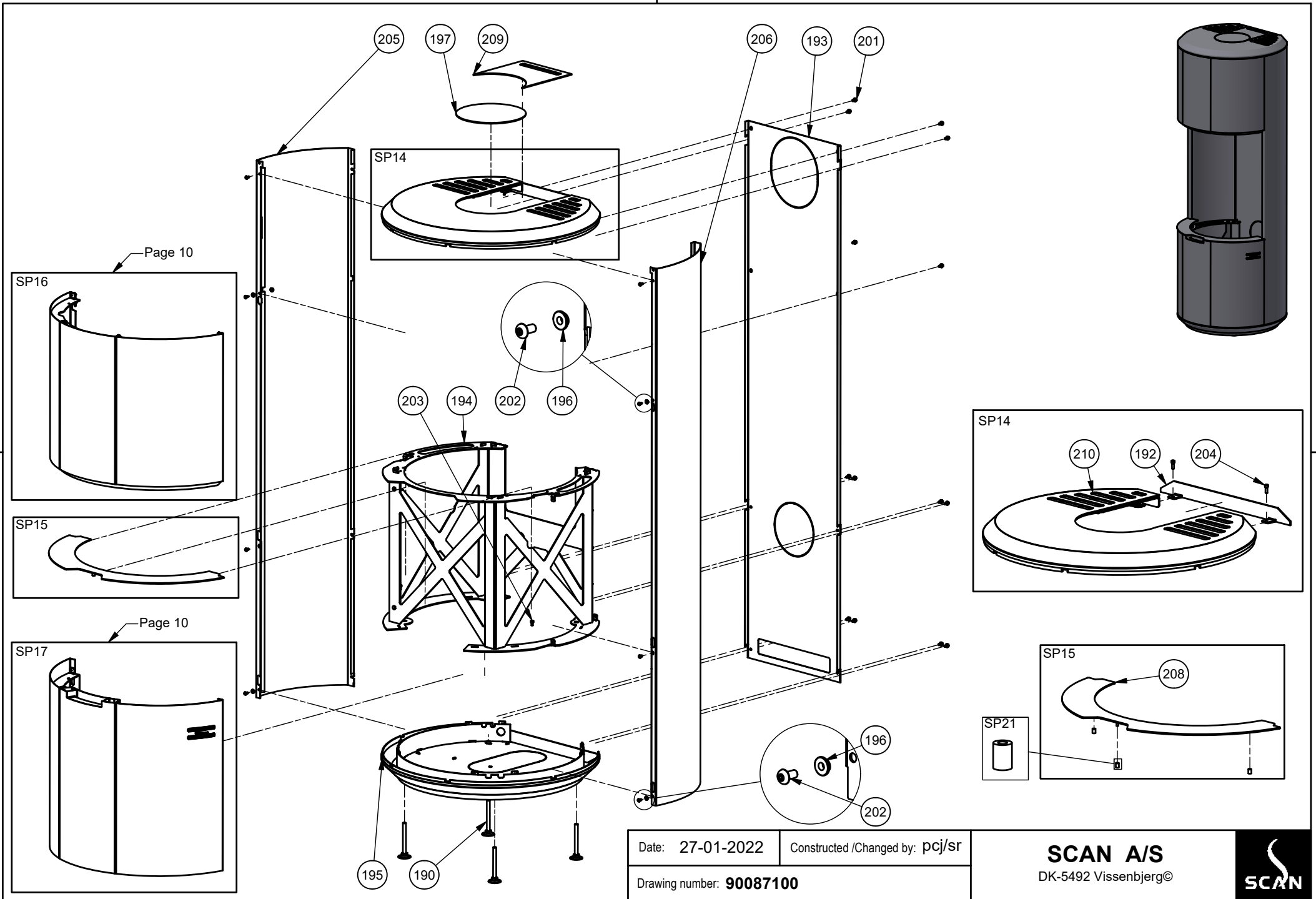


**SCAN A/S**  
DK-5492 Vissenbjerg©





# Spare parts: Scan 87 Floor



Page 10

Page 10

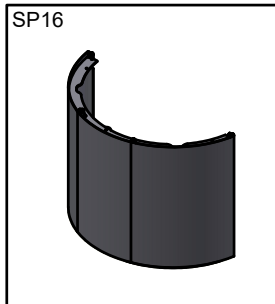
Date: 27-01-2022	Constructed /Changed by: pcj/sr
Drawing number: 90087100	

**SCAN A/S**  
DK-5492 Vissenbjerg©

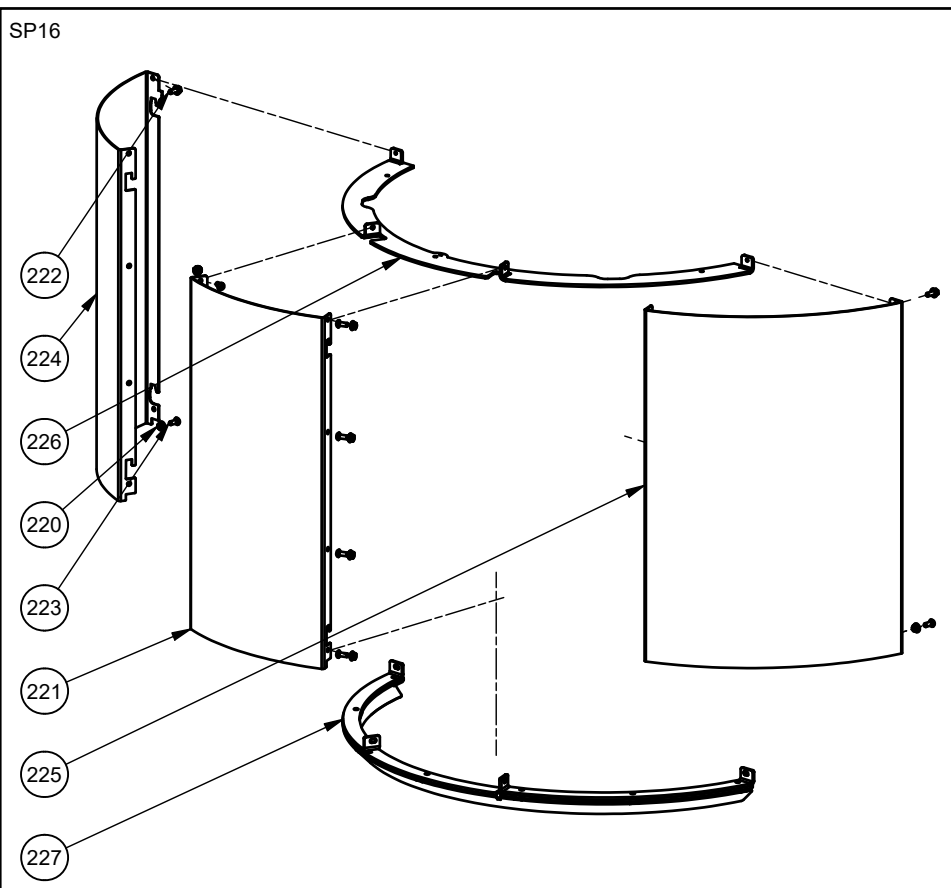


# Spare parts: Scan 87 Floor

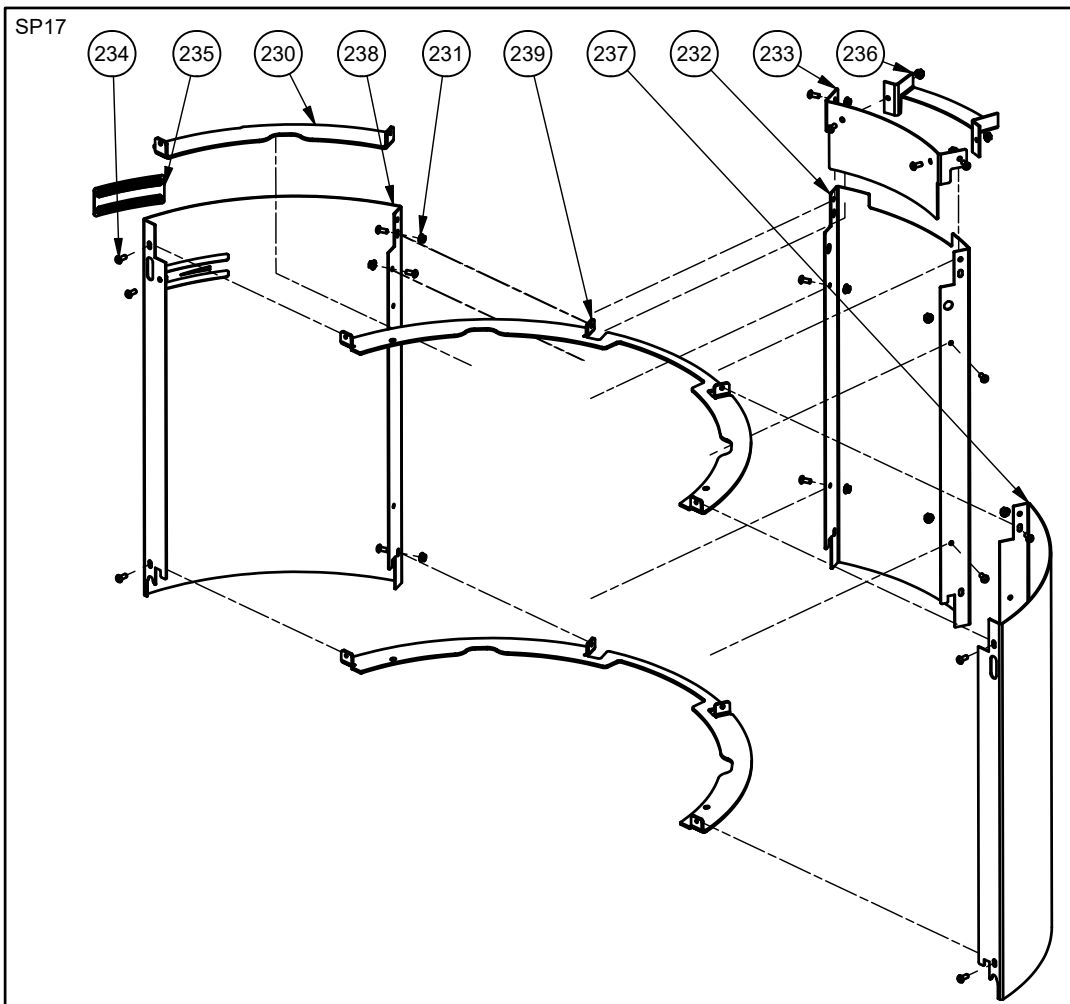
SP16



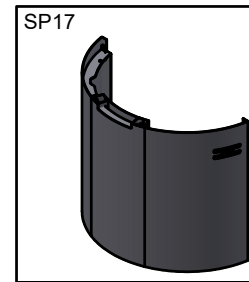
SP16



SP17



SP17

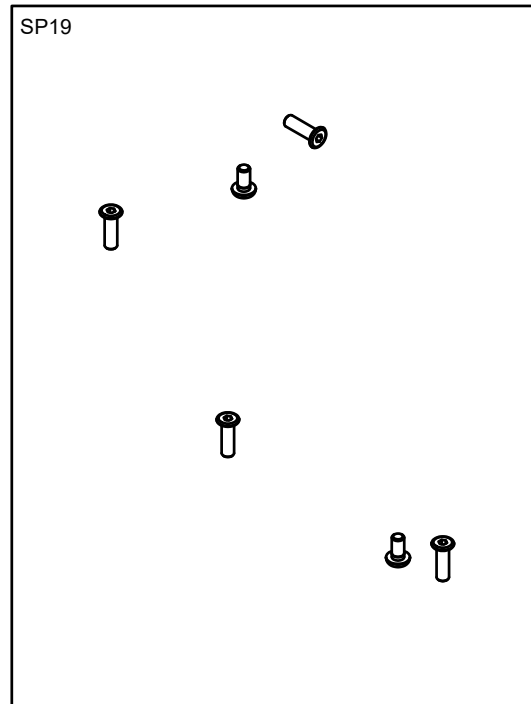
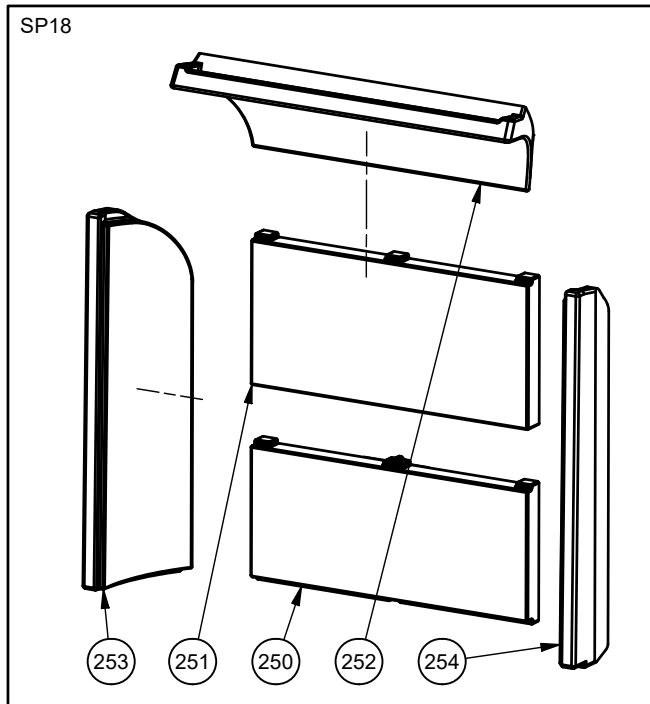


Date: 27-01-2022    Constructed /Changed by: pcj/sr  
 Drawing number: **90087100**

**SCAN A/S**  
 DK-5492 Vissenbjerg®



# Spare parts: Scan 87 Floor



Date: 27-01-2022

Constructed /Changed by: pcj/sr

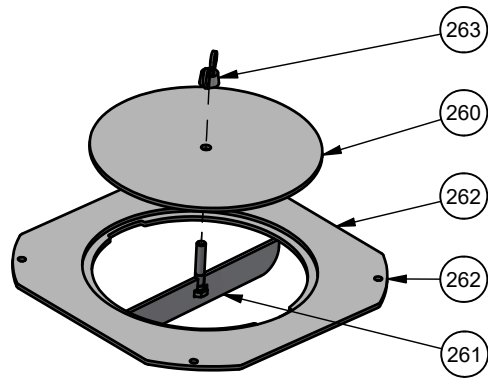
Drawing number: 90087100

**SCAN A/S**  
DK-5492 Vissenbjerg©

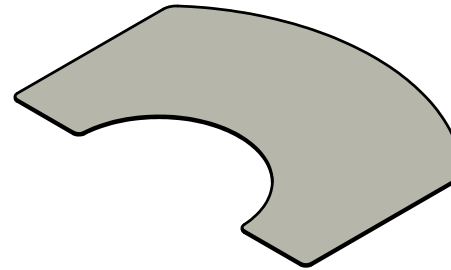


# Spare parts: Scan 87 Floor

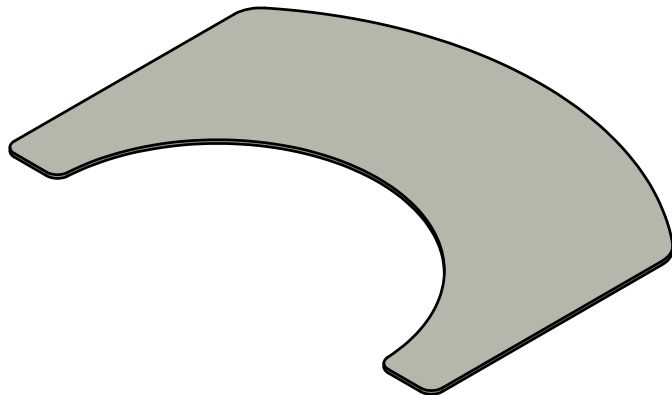
AC 1



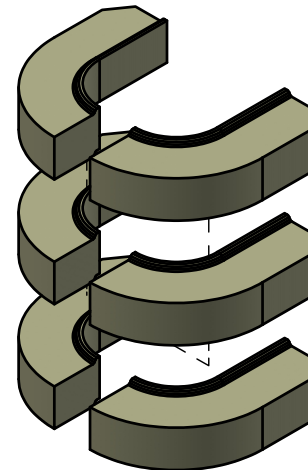
AC 3



AC 2



AC 4



Date: 27-01-2022

Constructed /Changed by: pcj/sr

Drawing number: 90087100

**SCAN A/S**  
DK-5492 Vissenbjerg©



# Spare parts: Scan 87 Floor

## Corpus Scan 87

POS	M3 NO.	SALES NO.	DESCRIPTION	LENGTH	QTY
1	12061559		Air box		1
2	12061575	12062017	Ash bucket		1
3	12062206		Bracket for topplate		1
4	10061319		Burnchamber welded		1
5	12055973	12062018	Cast iron Bottom		1
6	12055974	12062019	Cast iron grate		1
7	12061565		Cast iron holder		1
8	10061325		Conecting piece Ø180, welded		1
9	10061326		Connecting piece Ø190		1
10	12062179		Connection f. wirewheels plate		1
11	10061324		Convection box		1
12	12061570		Counterweight		2
13	Laser-sheet 12061650		Cover for fresh air		1
14	Laser-sheet 12061650		Cover plate		1
15	12061573	12062001	Damper assembled		1
16	12061562		Damper extension primary		1
17	12061561		Damper extension secondary		1
18	10061318		Damper handle, bonfire		1
19	10061317		Damper handle, match		1
20	12061589	12062009	Door assembled		1
21	10004957		Dowel pin ø6x40 RF A1/A2		2
22	10004953		Flangenut w. ripp M5 (DIN 6923)		4
23	10007913		Glass gasket with tape 8X3 mm Black	0,7 m	2
24	10007913		Glass gasket with tape 8X3 mm Black	1,5 m	2
25	10007913		Glass gasket with tape 8X3 mm Black	0,1 m	2
26	10007913		Glass gasket with tape 8X3 mm Black	0,8 m	1
27	10007913		Glass gasket with tape 8X3 mm Black	2,1 m	1
28	10004753		Hex head screw with flange, M5 x 10, black		6
29	10061306		Hex head shoulder bolt Ø8x30/M6		2
30	10004835		Hex socket button head w. flange, M5 x 16		1
31	10004820		Hex socket button head, M5 x 10, A2		5
32	10049776		Hex socket flat head, M5 x 10, black		8
33	10004805		Hex socket head cap, M5 x 6		6
34	10004816		Hex socket head cap, M5 x 10, black		17
35	10004812		Hex socket head cap, M5 x 12		20
36	10004838		Hex socket head cap, M5 x 16, black		5
37	10004806		Hex socket head cap, M5 x 30		2

Date: 27-01-2022

Constructed /Changed by: pcj/sr

Drawing number: 90087100

**SCAN A/S**  
DK-5492 Vissenbjerg©



## Spare parts: Scan 87 Floor

POS	M3 NO.	SALES NO.	DESCRIPTION	LENGTH	QTY
38	10038074		Hex socket head cap, M5 x 40		8
39	10007710		Hex socket head cap, M5 x 50, FZB (DIN 912)		2
40	10004866		Hex socket head cap, M6 x 12		2
41	10004868		Hex socket head cap, M6 x 20		12
42	12061572	12062003	House for wirewheels, compleate		2
43	10061000		Kit Skamol baffleplates		1
44			Lifting yoke mounted		1
45	12061564		Lock for door, left side		1
46	10007642		Lock nut M5, metal		17
47	12061566		Plate for wirewheels		1
48	12061574		Protection plate for burn chamber complete		1
49	10048841		Rubber grommet 19/27/33/3		1
50	12061653		Secondary air channel		1
51	10061240		Shaft for guillotine door		2
52	12062020		Silicone tube Ø8/Ø12x27		2
53	10038075		Socket set screw dog point, M5 x 6		2
54	10004954		Spring washers, curved, ø8/Ø15x0,5 HFC 1245		1
55	12061567		Support angle for top, right		2
56	12061560		Support for baffleplate		1
57	12061558		Swing arm for counterweight		1
58	10061316		Tension spring Ø1,5/Ø15x80		2
59	12061571		Tertiary air channel, welded		2
60	Laser-sheet 12061651		Top guide for shaft		2
61	12061569		Topstop for door		1
62	10004626		Valve holder (center) Ø8/15x4,5		1
63	10061358	12062021	Ø125 flange with sleeve		1

### SP 1: Damper Plate complete: 12062001

POS	M3 NO.	SALES NO.	DESCRIPTION	LENGTH	QTY
70	10038025		Bushing for springloaded damper Ø7,9x12,5		2
71	10061351		Ceramic fiber gasket		1
72	10061238		Damper bushing		1
73	10004518		Damper bushing Ø8/15x3,7		3
74	12061582		Damper plate		1
75	10004771		Hex head screw with flange, M5 x 12, black		2
76	10004788		Hex head screw with flange, M5 x 16, black		4
77	10004812		Hex socket head cap, M5 x 12		4
78	10004804		Hex socket head cap, M5 x 25		1

Date: 27-01-2022

Constructed /Changed by: pcj/sr

Drawing number: 90087100

**SCAN A/S**  
DK-5492 Vissenbjerg©



## Spare parts: Scan 87 Floor

POS	M3 NO.	SALES NO.	DESCRIPTION	LENGTH	QTY
79	10007642		Lock nut M5, metal		1
80	12061584		Primary damper		1
81	12061585		Primary damper arm		1
82	12061583		Secondary damper		1
83	12061586		Secondary damper arm		1
84	10052645		Tension spring for damper (Dm: 8.75 - Lo:10 - Dt=0.75)		2
85	10004626		Valve holder (center) Ø8/15x4,5		1
86	10004616		Valve holder (double) Ø8/15x8,5		1
87	10046397		Washer ø5,3/20 x 1,5 (HV140)		1
88	10008004		Washer Ø8/Ø16*1.5 (DIN 125 A)		2

### SP 2: Damper handles : 12062002

POS	M3 NO.	SALES NO.	DESCRIPTION	LENGTH	QTY
18	10061318		Damper handle, bonfire		1
19	10061317		Damper handle, match		1
53	10038075		Socket set screw dog point, M5 x 6		2

### SP 3: House for wirewheels, complete: 12062003

POS	M3 NO.	SALES NO.	DESCRIPTION	LENGTH	QTY
90	10058458		Ball Bearing 626.ZZ P6Z2 C3 - 150 gr		2
91	10004848		Hex socket head cap, M6 x 35		2
92	12061581		House for wire wheels		1
93	10007635		Lock nut M6 metal		2
94	10061305		Retaining ring for bores DIN472 - Ø19		2
95	10048082		Spacer bushing Ø10 x 6,5		4
96	10061322		Wire for counterweight		1
97	10061233		Wire wheel		2

### Counterweight:

POS	M3 NO.	SALES NO.	DESCRIPTION	LENGTH	QTY
100	12061576	12062004	Adjustment briks for counterweight		12
101	10061234		Anchor for wire		1
102	10004897		Hex socket button head, M6 x 30, ISO 7380-1 steel 010.9		2
103	10004868		Hex socket head cap, M6 x 20		1
104	12061578		Inner part for counterweight		1
105	10007635		Lock nut M6 metal		1
106	12061580		Outer part for counterweight		1
107	12062020		Silicone tube Ø8/Ø12x27		8
108	12061579		Spacer for counterweight		2
109	12061577		Spacer w/pins for counterweight		1

Date: 27-01-2022

Constructed /Changed by: pcj/sr

Drawing number: 90087100

**SCAN A/S**  
DK-5492 Vissenbjerg©



## Spare parts: Scan 87 Floor

### SP 4: Adjustment briks for counterweight: 12062004

POS	M3 NO.	SALES NO.	DESCRIPTION	LENGTH	QTY
100	12061576	12062004	Adjustment briks for counterweight		12

### SP 5: Connecting piece Ø190: 120620005

POS	M3 NO.	SALES NO.	DESCRIPTION	LENGTH	QTY
9	10061326		Connecting piece Ø190		1
23	10007913		Glass gasket with tape 8X3 mm Black	0,7 m	1
34	10004816		Hex socket head cap, M5 x 10, black		4

### SP 6: Conecting piece Ø180: 12062006

POS	M3 NO.	SALES NO.	DESCRIPTION	LENGTH	QTY
8	10061325		Conecting piece Ø180, welded		1
23	10007913		Glass gasket with tape 8X3 mm Black	0,7 m	1
34	10004816		Hex socket head cap, M5 x 10, black		4

### SP 7: Kit baffleplates: 12062007

POS	M3 NO.	SALES NO.	DESCRIPTION	LENGTH	QTY
21	10004957		Dowel pin ø6x40 RF A1/A2		2
43	10061000		Kit Skamol baffleplates		1

### Protection plate for burn chamber complete:

POS	M3 NO.	SALES NO.	DESCRIPTION	LENGTH	QTY
116	10007913		Glass gasket with tape 8X3 mm Black	2,3 m	1
115	10007913		Glass gasket with tape 8X3 mm Black	1,2 m	1
117	12061588		Protection for air lip		1
118	12061587		Protection plate for burn chamber		1

### Lifting yoke mounted:

POS	M3 NO.	SALES NO.	DESCRIPTION	LENGTH	QTY
120	10061234		Anchor for wire		2
121	10061376		Bushing for lock for handle		1
122	10004518		Damper bushing Ø8/15x3,7		1
123	Laser-sheet 12061650		Distance piece for doorlifter		1
124	10061236		Distance tube		1
125	Laser-sheet 12061650		Door lifter		1
126	Laser-sheet 12061649		Handle for swing out door		1

Date: 27-01-2022

Constructed /Changed by: pcj/sr

Drawing number: 90087100

**SCAN A/S**  
DK-5492 Vissenbjerg©





## Spare parts: Scan 87 Floor

POS	M3 NO.	SALES NO.	DESCRIPTION	LENGTH	QTY
127	10004753		Hex head screw with flange, M5 x 10, black		1
128	10004771		Hex head screw with flange, M5 x 12, black		2
129	10004789		Hex socket button head, M5 x 6		1
130	10004783		Hex socket button head, M5 x 10		1
131	10004804		Hex socket head cap, M5 x 25		2
132	10004868		Hex socket head cap, M6 x 20		2
133	10004819		Hex sucket countersunk head screw, M5 x 10, black		1
134	12061652		Lifting yoke welded		1
135	Laser-sheet 12061650		Lock for handle		1
136	Laser-sheet 12061649		Lock for swing out door		1
137	10007642		Lock nut M5, metal		2
138	10007635		Lock nut M6 metal		2
139	10061241		Shaft for door lock		1
140	10061350		Sleeve bearing XSM-2023-15		2
141	10038075		Socket set screw dog point, M5 x 6		2
142	Laser-sheet 12061649		Spacer for Lifting bar		2
143	10052645		Tension spring for damper (Dm: 8.75 - Lo:10 - Dt=0.75)		1
144	12061648		Tube for Guillotine Door, right		1
145	10050668		Washer Ø8xØ14x0,3 (DIN988)		1

### SP 8: Closing mechanism, Sving-out door: 12062008

POS	M3 NO.	SALES NO.	DESCRIPTION	LENGTH	QTY
121	10061376		Bushing for lock for handle		1
124	10061236		Distance tube		1
126	Laser-sheet 12061649		Handle for swing out door		1
127	10004753		Hex head screw with flange, M5 x 10, black		1
128	10004771		Hex head screw with flange, M5 x 12, black		1
130	10004783		Hex socket button head, M5 x 10		1
133	10004819		Hex sucket countersunk head screw, M5 x 10, black		1
135	Laser-sheet 12061650		Lock for handle		1
136	Laser-sheet 12061649		Lock for swing out door		1
139	10061241		Shaft for door lock		1
143	10052645		Tension spring for damper (Dm: 8.75 - Lo:10 - Dt=0.75)		1

Date: 27-01-2022

Constructed /Changed by: pcj/sr

Drawing number: 90087100

**SCAN A/S**  
DK-5492 Vissenbjerg©




## Spare parts: Scan 87 Floor

### SP 9: Door Complete: 12062009

POS	M3 NO.	SALES NO.	DESCRIPTION	LENGTH	QTY
150	10038105		Black silicone 320gr		1
151	10061321		Door handle, smoked with black print		1
152	10061231		Door stopper		1
153	10061320		Door welded		1
154	10047432		Fiberglass rope Ø6 w tape	3,2 m	1
155	10060978		Frontglass		1
156	10061352		Gasket for glass handle		4
157	10007912		Glass gasket with tape 2x10 mm Black	0,9 m	1
158	10007913		Glass gasket with tape 8X 3mm Black	0,9 m	1
159	10051744		Glass gasket black knitted Ø15	2,3 m	1
160	10004753		Hex head screw with flange, M5 x 10, black		1
161	10049434		Hex head shoulder bolt Ø6x10/M5		2
162	10061110		Hex socket flat head, M5 x 16, black		18
163	10004804		Hex socket head cap, M5 x 25		1
164	10004861		Hex socket head cap, M6 x 16		2
165	10048284		Ladder gasket with tape 3x21 mm	0,9 m	1
166	10007642		Lock nut M5, metal		2
167	10007635		Lock nut M6 metal		2
168	10061554		Lower glass strip painted		1
169	12061592		Outer part chanal for gasket		2
170	10007617		Poprivet M3,2 x 7,9		22
171	12061642		Rail for gasket, left		1
172	12061640		Rail for gasket, right		1
173	20048686		Silicone burshing Ø4/Ø6 x 5		2
174	10051950		Silicone gasket for front glass	1 m	1
175	10061350		Sleeve bearing XSM-2023-15		2
176	10050690		Tension spring Ø8 x 15 x 1,2		1
177	12061593		Tube for Guillotine Door, left		1
178	12061594		Upper glass list welded		1
179	12061591		Vertical cover for door, left		1
180	12061590		Vertical cover for door, right		1
181	10008004		Washer Ø8/Ø16*1.5 (DIN 125 A)		2
182	10007709		Washer, M5, wo. fazet FZB		2
183	10052900		Ø14 E glass gasket	0,9 m	1

**SP 10: Glassgasket black knitted Ø15, Type AM, 3 meters: 51053187**

**SP 11: Ø14 E glass gasket, Type AN, 2,5 meters: 51053354**

Date: 27-01-2022	Constructed /Changed by: pcj/sr	<b>SCAN A/S</b> DK-5492 Vissenbjerg©	
Drawing number: 90087100			

## Spare parts: Scan 87 Floor

### SP 12: Door glass with gasket: 12062010

POS	M3 NO.	SALES NO.	DESCRIPTION	LENGTH	QTY
154	10047432		Fiberglass rope Ø6 w tape	3,2 m	1
155	10060978		Frontglass		1
157	10007912		Glass gasket with tape 2x10 mm Black	0,9 m	1
158	10007913		Glass gasket with tape 8X 3mm Black	0,9 m	1
165	10048284		Ladder gasket with tape 3x21 mm	0,9 m	1
174	10051950		Silicone gasket for front glass	1 m	1

### SP 13: Glass handle: 12062011

POS	M3 NO.	SALES NO.	DESCRIPTION	LENGTH	QTY
151	10061321		Door handle, smoked with black print		1
156	10061352		Gasket for glass handle		4
162	10061110		Hex socket flat head, M5 x 16, black		2
173	20048686		Silicone burshing Ø4/Ø6 x 5		2
182	10007709		Washer, M5, wo. fazet FZB		2

### Base + mantle, floor version:

POS	M3 NO.	SALES NO.	DESCRIPTION	LENGTH	QTY
190	12055250		Adjustment screw, D40M10x100		4
191	12058465		Approval label, Scan 87		1
192	12062205		Back cover for top		1
193	12061599	12062117	Backplate free-standing		1
194			Base for floor version		1
195	12061613		Bottom floor version, welded		1
196	10061244		Bushing for front cover		4
197	12061619	12062022	Cover for topplate, welded		1
198	10004953		Flangenut w. ripp M5 (DIN 6923)		2
199		12062015	Front panel f. base, floor		1
200		12062014	Front panel, top		1
201	10004753		Hex head screw with flange, M5 x 10, black		14
202	10004783		Hex socket button head, M5 x 10		8
203	10004816		Hex socket head cap, M5 x 10, black		2
204	10004838		Hex socket head cap, M5 x 16, black		2
205	12061598	12062118	Side mantle, left		1
206	12061597	12062119	Side mantle, right		1

Date: 27-01-2022

Constructed /Changed by: pcj/sr

Drawing number: 90087100

**SCAN A/S**  
DK-5492 Vissenbjerg©



## Spare parts: Scan 87 Floor

POS	M3 NO.	SALES NO.	DESCRIPTION	LENGTH	QTY
207	12062226		Silicone tube Ø4/Ø8x11		3
208	12061618		Top cover for base, welded		1
209	12061615	12062023	Top plate small rear, welded		1
210	12061614		Welded top		1

### SP 14: Top assembled: 12062012

POS	M3 NO.	SALES NO.	DESCRIPTION	LENGTH	QTY
192	12062205		Back cover for top		1
204	10004838		Hex socket head cap, M5 x 16, black		2
210	12061614		Welded top		1

### SP 15: Top cover for base: 12062013

POS	M3 NO.	SALES NO.	DESCRIPTION	LENGTH	QTY
207	12062226		Silicone tube Ø4/Ø8x11		3
208	12061618		Top cover for base, welded		1

### SP 16: Front panel, top: 12062014

POS	M3 NO.	SALES NO.	DESCRIPTION	LENGTH	QTY
220	10004953		Flangenut w. ripp M5 (DIN 6923)		10
221	12061602		Front for front cover, top		1
222	10004771		Hex head screw with flange, M5 x 12, black		2
223	10004801		Hex socket button head, M5 x 12, ISO 7380-1 steel 010.9		10
224	12061603		Left side for front cover, top		1
225	12061604		Right side for front cover, top		1
226	12061601		Support for front panel, top		1
227	12061605		Upper trim assembled		1

### SP 17: Front panel f. base, floor: 12062015

POS	M3 NO.	SALES NO.	DESCRIPTION	LENGTH	QTY
230	12061612		Bracket for insert for handles		1
231	10004953		Flangenut w. ripp M5 (DIN 6923)		14
232	12061606		Front for frontcover, floor		1
233	12061611		Heat shield for handle		1
234	10004801		Hex socket button head, M5 x 12, ISO 7380-1 steel 010.9		18
235	10061171		Insert for damperhandles		1
236	12061608		Inside cover under handle		1
237	12061609		Left side for frontcover, floor		1
238	12061607		Right side for frontcover, floor		1
239	12061610		Support, frontpanel for base		2

Date: 27-01-2022

Constructed /Changed by: pcj/sr

Drawing number: 90087100

**SCAN A/S**  
DK-5492 Vissenbjerg©



## Spare parts: Scan 87 Floor

### SP 18: Ceramic lining complete: 12061357

POS	M3 NO.	SALES NO.	DESCRIPTION	LENGTH	QTY
250			Backstone, lower		1
251			Backstone, upper		1
252			Baffleplate, back		1
253			Combustion chamber lining, left side		1
254			Combustion chamber lining, right side		1

### SP 19: Spare part kit, Screws, ect.: 12062016

### SP 20: Silicone tube Ø8/Ø12x27, 20 pcs.: 12062213

### SP 21: Silicone tube Ø4/Ø8x11, 10 pcs.: 12062225

### AC 1: Cleaning acces kit for rear outlet: 51061770

POS	M3 NO.	SALES NO.	DESCRIPTION	LENGTH	QTY
260			Lid for cleaning acces kit		1
261			Locking arm for cleaning acces kit		1
262			Ring for cleaning acces kit		1
263	10007991		Wing nut M6		1

	DESCRIPTION	SALES NO.
AC 2:	Floorplate glass SC87 large	50061116
AC 3:	Floorplate glass SC87 small	50061170
AC 4:	Heat accumulation stones	10061519

Date: 27-01-2022

Constructed /Changed by: pcj/sr

Drawing number: 90087100

**SCAN A/S**  
DK-5492 Vissenbjerg©

